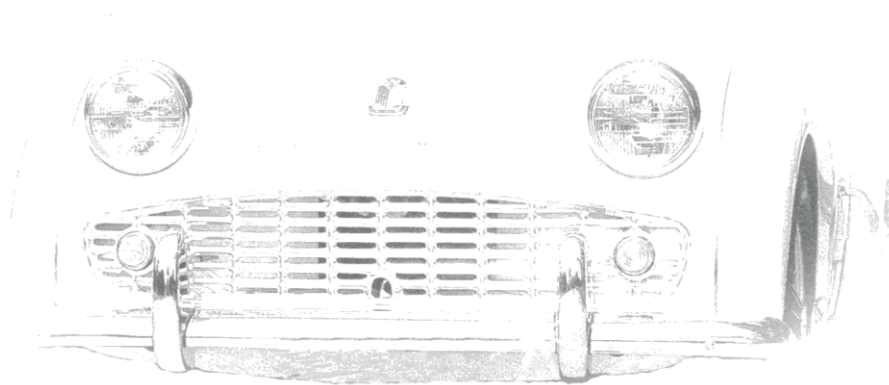


advance
AUTO-WIRE

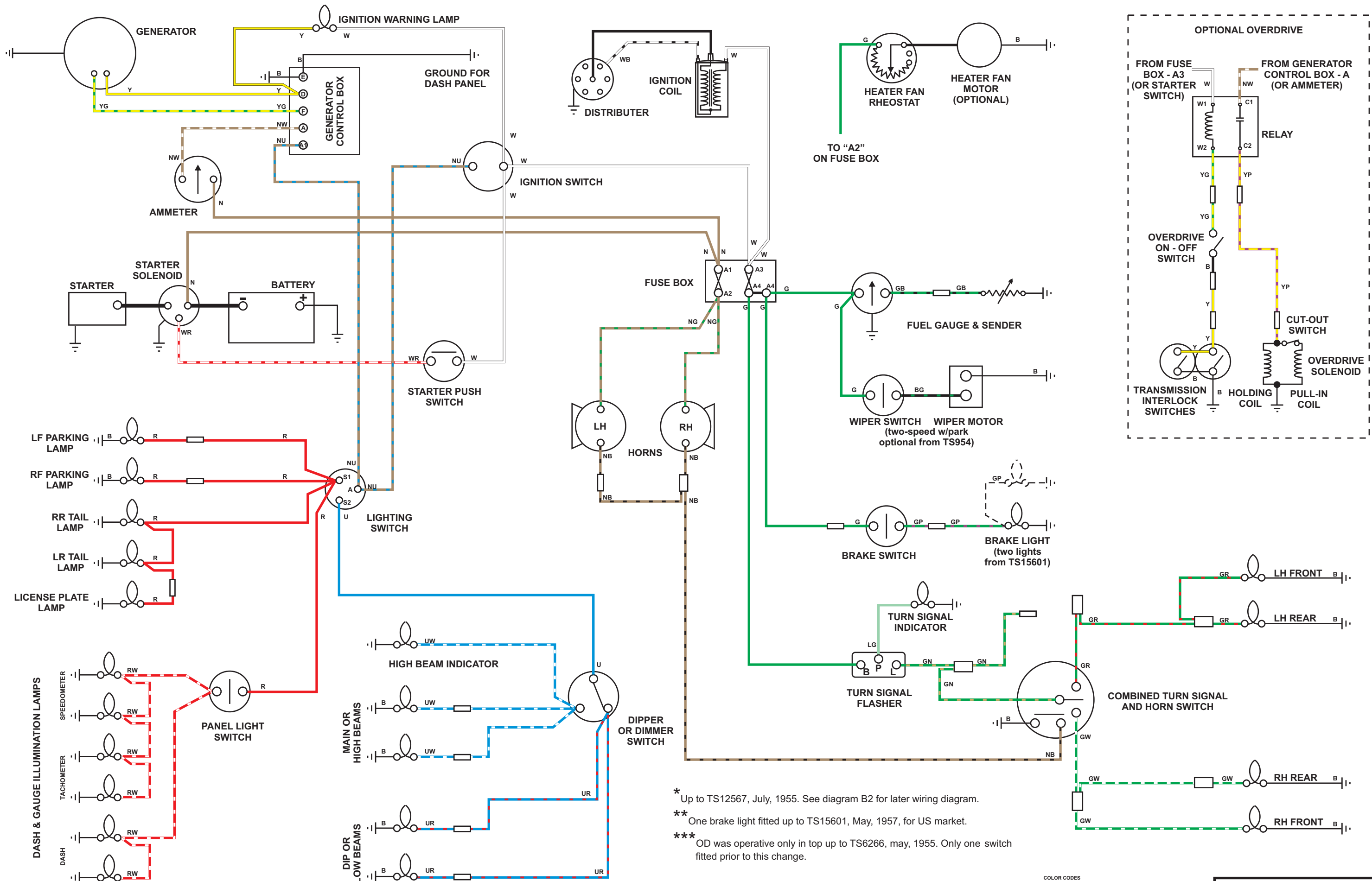
www.advanceautowire.com

TRIUMPH TR2 - TR4A WIRING DIAGRAMS



A  PUBLICATION

© 2005

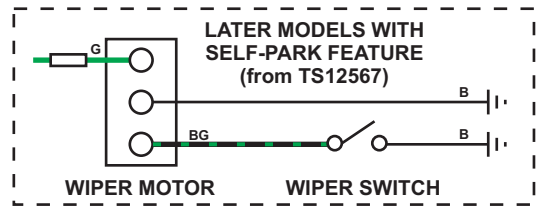
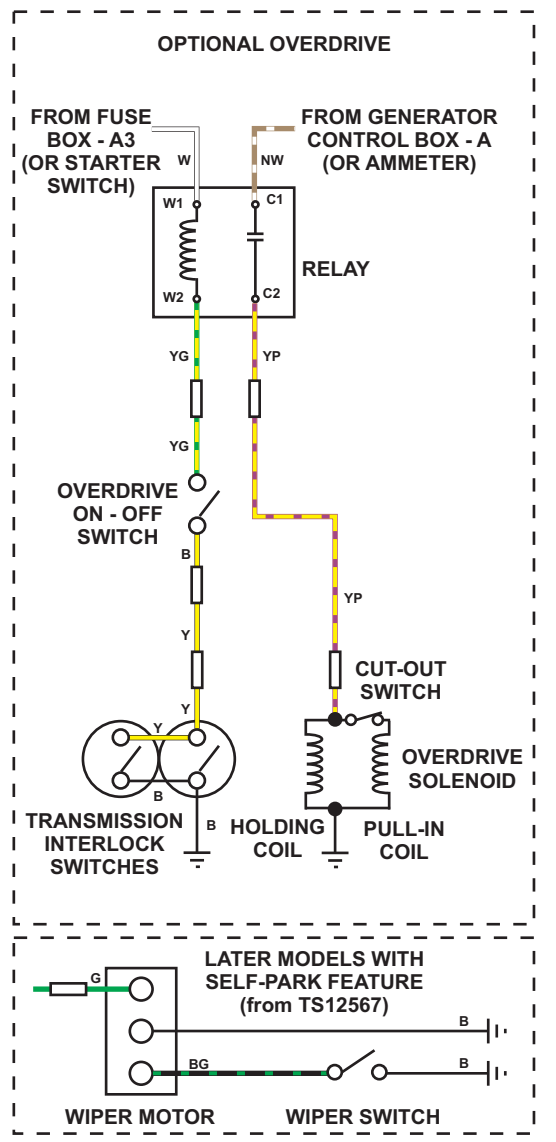
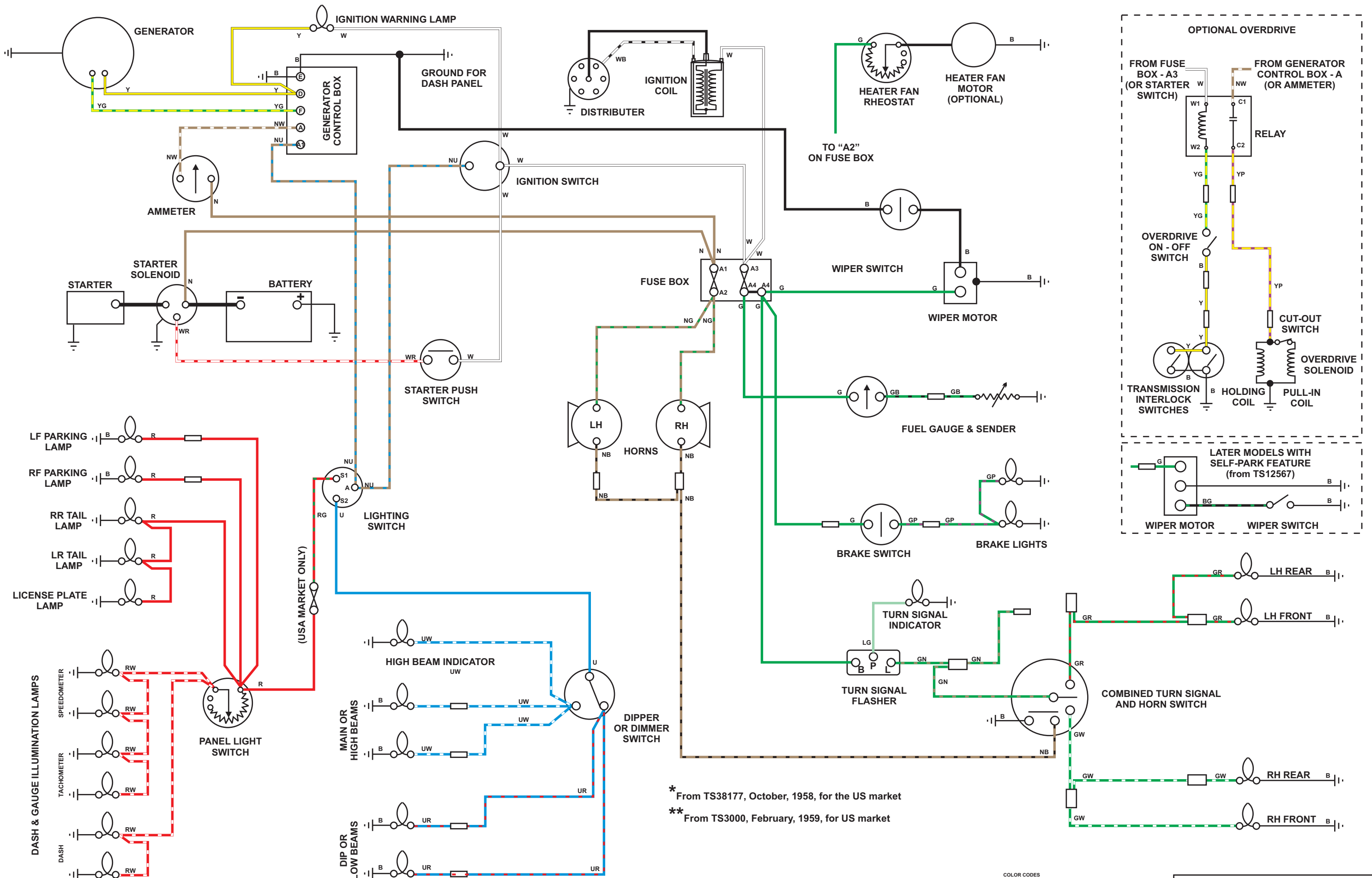


* Up to TS12567, July, 1955. See diagram B2 for later wiring diagram.
 ** One brake light fitted up to TS15601, May, 1957, for US market.
 *** OD was operative only in top up to TS6266, may, 1955. Only one switch fitted prior to this change.

COLOR CODES

N	Brown	LG	Light Green	G	Green
U	Blue	W	White	B	Black
R	Red	Y	Yellow	K	Pink
P	Purple	S	Slate	O	Orange

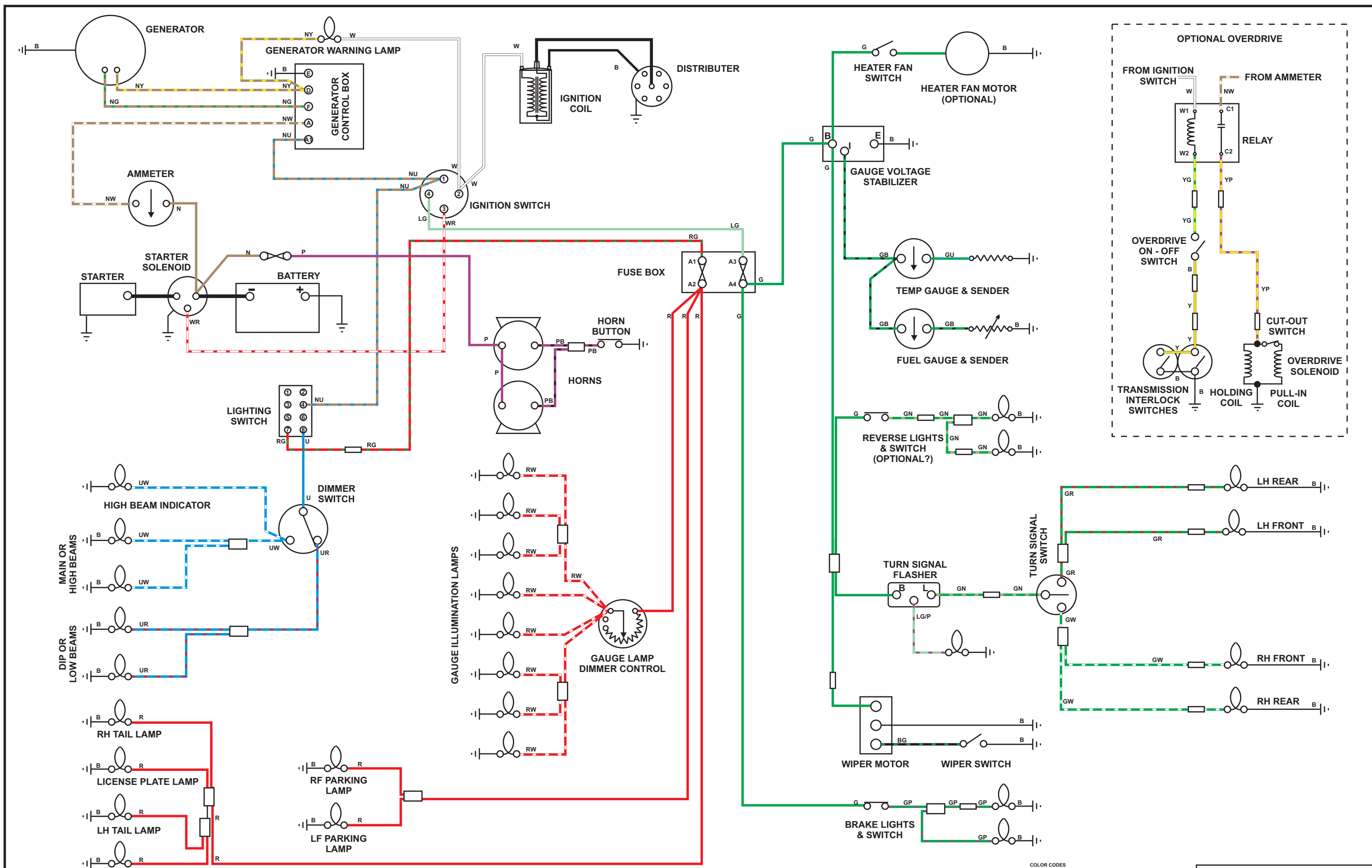
TR2, TR3



* From TS38177, October, 1958, for the US market
 ** From TS3000, February, 1959, for US market

COLOR CODES					
N	Brown	LG	Light Green	G	Green
U	Blue	W	White	B	Black
R	Red	Y	Yellow	K	Pink
P	Purple	S	Slate	O	Orange

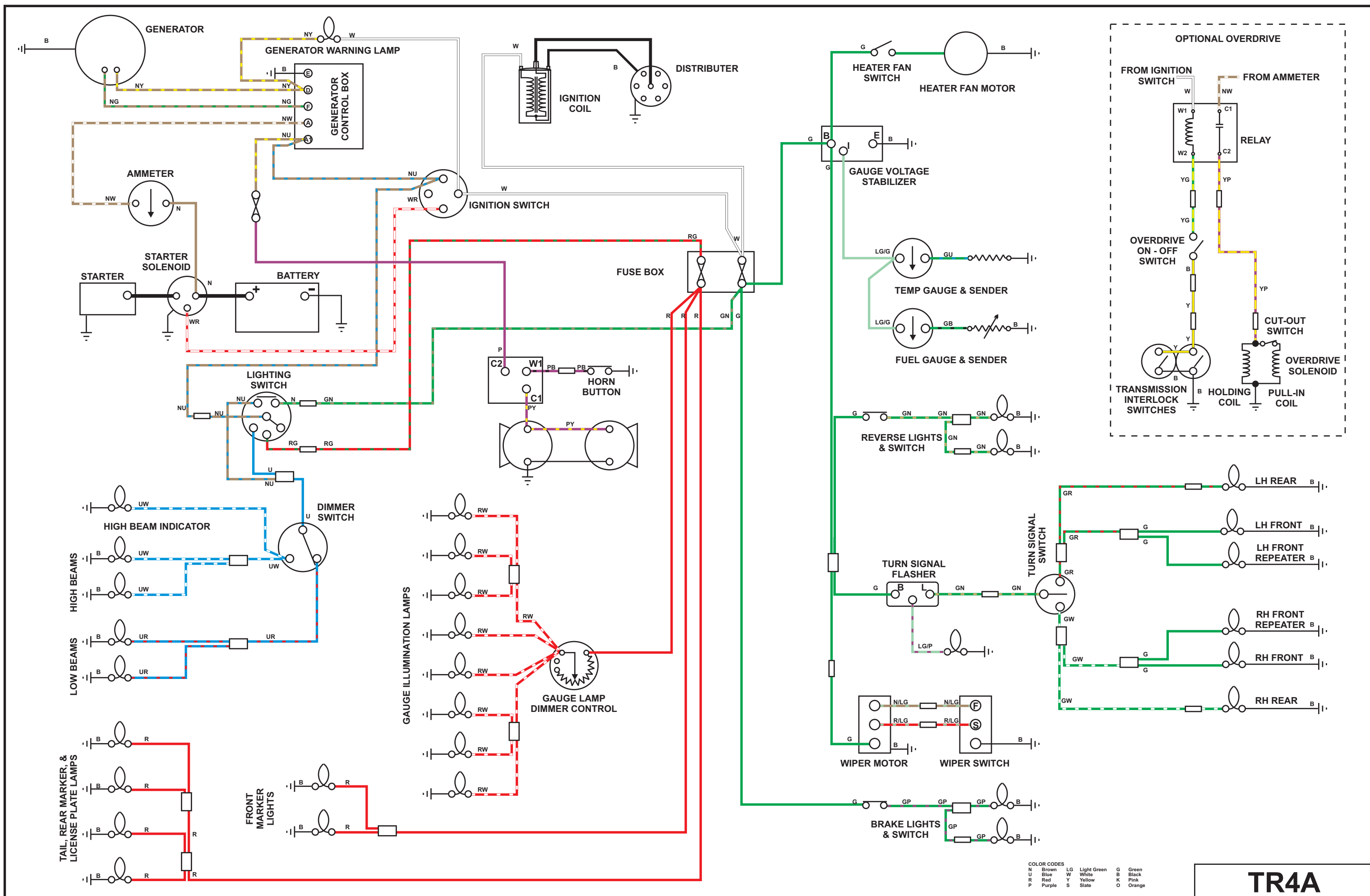
TR3A, TR3B



COLOR CODES

N	Brown	LG	Light Green	G	Green
U	Blue	W	White	B	Black
R	Red	Y	Yellow	K	Pink
P	Purple	S	Slate	O	Orange

TR4



TR4A